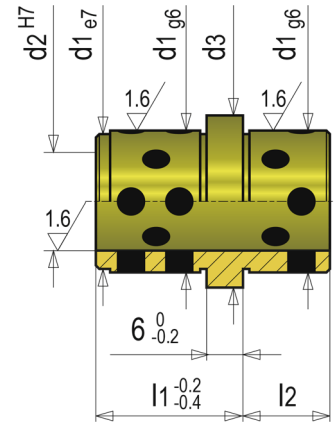


C1243

Vodící pouzdro samomazné



Materiál: ~2.0598 + grafit



kód	d2	l1	l2	d1	d3
C1243/10x9-12	10	12	9	14	17
C1243/10x9-17	10	17	9	14	17
C1243/12x12-17	12	17	12	16	19
C1243/12x9-17	12	17	9	16	19
C1243/14x12-17	14	17	12	18	21
C1243/14x12-22	14	22	12	18	21
C1243/14x17-22	14	22	17	18	21
C1243/14x17-27	14	27	17	18	21
C1243/14x22-27	14	27	22	18	21
C1243/18x12-17	18	17	12	24	27
C1243/18x12-22	18	22	12	24	27
C1243/18x17-22	18	22	17	24	27
C1243/18x17-27	18	27	17	24	27
C1243/18x22-27	18	27	22	24	27
C1243/20x17-22	20	22	17	26	29
C1243/20x22-27	20	27	22	26	29
C1243/22x17-22	22	22	17	28	31
C1243/22x22-27	22	27	22	28	31
C1243/24x17-22	24	22	17	30	33
C1243/24x17-27	24	27	17	30	33
C1243/24x22-27	24	27	22	30	33
C1243/24x27-36	24	36	27	30	33
C1243/30x22-27	30	27	22	38	41
C1243/30x27-36	30	36	27	38	41

kód	d2	l1	l2	d1	d3
C1243/30x27-46	30	46	27	38	41
C1243/30x36-46	30	46	36	38	41
C1243/40x36-46	40	46	36	48	51