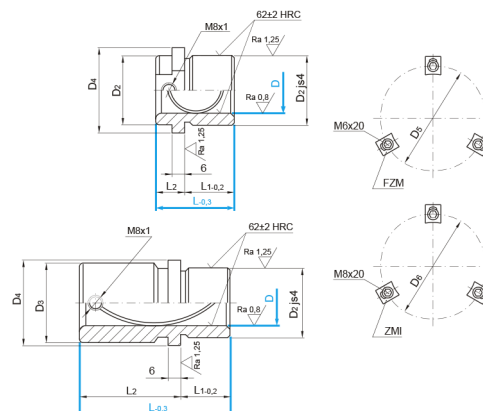


# C5200

## Vodící pouzdro ocelové



kód	D	L	L1	L2	D2	D3	D4	D5	D6
C5200/20x35	20	35	23	12	32		40	52	54
C5200/20x43	20	43	23	20	32	39	40	52	54
C5200/20x59	20	59	23	36	32	39	40	52	54
C5200/25x35	25	35	23	12	40		48	60	62
C5200/25x59	25	59	23	36	40	46	48	60	62
C5200/25x79	25	79	23	56	40	46	48	60	62
C5200/32x42	32	42	30	12	48		56	67	70
C5200/32x75	32	75	30	45	48	53	56	67	70
C5200/32x93	32	93	30	63	48	53	56	67	70
C5200/40x52	40	52	37	15	58		66	77	80
C5200/40x82	40	82	37	45	58	63	66	77	80
C5200/40x108	40	108	37	71	58	63	66	77	80
C5200/50x65	50	65	47	18	70		80	91	94
C5200/50x97	50	97	47	50	70	77	80	91	94
C5200/50x127	50	127	47	80	70	77	80	91	94
C5200/63x80	63	80	60	20	85		95	106	109
C5200/63x116	63	116	60	56	85	92	95	106	109
C5200/63x150	63	150	60	90	85	92	95	106	109
C5200/80x80	80	80	60	20	105		118	129	132
C5200/80x120	80	120	60	60	105	115	118	129	132
C5200/80x150	80	150	60	90	105	115	118	129	132