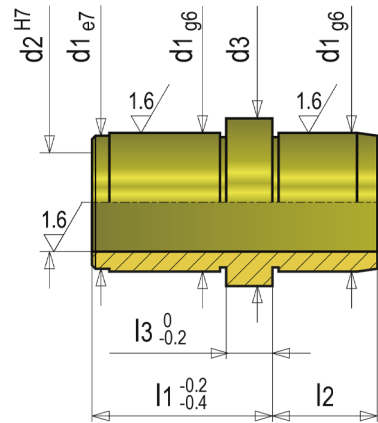


C1242

Vodící pouzdro mosazné



Materiál: ~2.0598



kód	d2	l1	l2	l3	d1	d3
C1242/10x10-10	10	10	10	3	14	16
C1242/10x5-10	10	10	5	3	14	16
C1242/10x9-12	10	12	9	6	14	17
C1242/10x9-17	10	17	9	6	14	17
C1242/12x12-17	12	17	12	6	16	19
C1242/12x9-17	12	17	9	6	16	19
C1242/14x12-17	14	17	12	6	18	21
C1242/14x12-22	14	22	12	6	18	21
C1242/14x17-22	14	22	17	6	18	21
C1242/18x12-17	18	17	12	6	24	27
C1242/18x12-22	18	22	12	6	24	27
C1242/18x17-22	18	22	17	6	24	27
C1242/18x17-27	18	27	17	6	24	27
C1242/18x22-27	18	27	22	6	24	27
C1242/20x17-22	20	22	17	6	26	29
C1242/20x22-27	20	27	22	6	26	29
C1242/22x17-22	22	22	17	6	28	31
C1242/22x22-27	22	27	22	6	28	31
C1242/24x17-22	24	22	17	6	30	33
C1242/24x17-27	24	27	17	6	30	33
C1242/24x22-27	24	27	22	6	30	33
C1242/24x27-36	24	36	27	6	30	33
C1242/30x22-27	30	27	22	6	38	41
C1242/30x27-36	30	36	27	6	38	41

kód	d2	l1	l2	l3	d1	d3
C1242/30x27-46	30	46	27	6	38	41
C1242/30x36-46	30	46	36	6	38	41
C1242/40x36-46	40	46	36	6	48	51