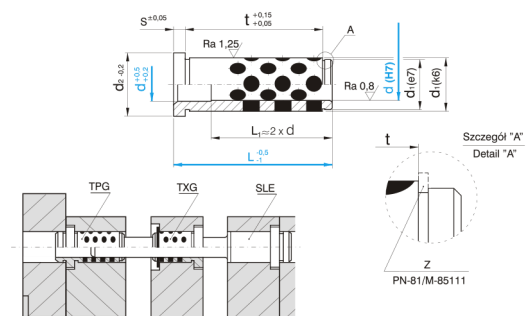


# C1213

## Vodící pouzdro bez středícího nákrůžku, samomazné



**Materiál:** ~2.0598 + grafit



Kód	d	L	d <sub>1</sub>	d <sub>2</sub>	s	t	Z
C1213/9x12	9	12	14	16	3	5,5	14x1
C1213/9x17	9	17	14	16	3	10,5	14x1
C1213/9x22	9	22	14	16	3	15,5	14x1
C1213/9x27	9	27	14	16	3	20,5	14x1
C1213/9x36	9	36	14	16	3	29,5	14x1
C1213/9x46	9	46	14	16	3	39,5	14x1
C1213/9x56	9	56	14	16	3	49,5	14x1
C1213/10x12	10	12	14	16	3	5,5	14x1
C1213/10x17	10	17	14	16	3	10,5	14x1
C1213/10x22	10	22	14	16	3	15,5	14x1
C1213/10x27	10	27	14	16	3	20,5	14x1
C1213/10x36	10	36	14	16	3	29,5	14x1
C1213/10x46	10	46	14	16	3	39,5	14x1
C1213/10x56	10	56	14	16	3	49,5	14x1
C1213/12x17	12	17	18	23	6	7	18x1,2
C1213/12x22	12	22	18	23	6	12	18x1,2
C1213/12x27	12	27	18	23	6	17	18x1,2
C1213/12x36	12	36	18	23	6	26	18x1,2
C1213/12x46	12	46	18	23	6	36	18x1,2
C1213/12x56	12	56	18	23	6	46	18x1,2
C1213/14x17	14	17	20	25	6	7	20x1,2
C1213/14x22	14	22	20	25	6	12	20x1,2
C1213/14x27	14	27	20	25	6	17	20x1,2
C1213/14x36	14	36	20	25	6	26	20x1,2

<b>kód</b>	<b>d</b>	<b>L</b>	<b>d1</b>	<b>d2</b>	<b>s</b>	<b>t</b>	<b>Z</b>
<b>C1213/14x46</b>	14	46	20	25	6	36	20x1,2
<b>C1213/14x56</b>	14	56	20	25	6	46	20x1,2
<b>C1213/15x17</b>	15	17	20	25	6	7	20x1,2
<b>C1213/15x22</b>	15	22	20	25	6	12	20x1,2
<b>C1213/15x27</b>	15	27	20	25	6	17	20x1,2
<b>C1213/15x36</b>	15	36	20	25	6	26	20x1,2
<b>C1213/15x46</b>	15	46	20	25	6	36	20x1,2
<b>C1213/15x56</b>	15	56	20	25	6	46	20x1,2
<b>C1213/16x22</b>	16	22	22	27	6	12	22x1,2
<b>C1213/16x27</b>	16	27	22	27	6	17	22x1,2
<b>C1213/16x36</b>	16	36	22	27	6	26	22x1,2
<b>C1213/16x46</b>	16	46	22	27	6	36	22x1,2
<b>C1213/16x56</b>	16	56	22	27	6	46	22x1,2
<b>C1213/18x17</b>	18	17	26	31	6	7	26x1,2
<b>C1213/18x22</b>	18	22	26	31	6	12	26x1,2
<b>C1213/18x27</b>	18	27	26	31	6	17	26x1,2
<b>C1213/18x36</b>	18	36	26	31	6	26	26x1,2
<b>C1213/18x46</b>	18	46	26	31	6	36	26x1,2
<b>C1213/18x56</b>	18	56	26	31	6	46	26x1,2
<b>C1213/18x66</b>	18	66	26	31	6	56	26x1,2
<b>C1213/18x76</b>	18	76	26	31	6	66	26x1,2
<b>C1213/20x17</b>	20	17	26	31	6	7	26x1,2
<b>C1213/20x22</b>	20	22	26	31	6	12	26x1,2
<b>C1213/20x27</b>	20	27	26	31	6	17	26x1,2
<b>C1213/20x36</b>	20	36	26	31	6	26	26x1,2
<b>C1213/20x46</b>	20	46	26	31	6	36	26x1,2
<b>C1213/20x56</b>	20	56	26	31	6	46	26x1,2
<b>C1213/20x66</b>	20	66	26	31	6	56	26x1,2
<b>C1213/20x76</b>	20	76	26	31	6	66	26x1,2
<b>C1213/22x22</b>	22	22	30	35	6	11	30x1,5
<b>C1213/22x27</b>	22	27	30	35	6	16	30x1,5
<b>C1213/22x36</b>	22	36	30	35	6	25	30x1,5
<b>C1213/22x46</b>	22	46	30	35	6	35	30x1,5
<b>C1213/22x56</b>	22	56	30	35	6	45	30x1,5
<b>C1213/22x66</b>	22	66	30	35	6	55	30x1,5
<b>C1213/22x76</b>	22	76	30	35	6	65	30x1,5
<b>C1213/22x86</b>	22	86	30	35	6	75	30x1,5
<b>C1213/22x96</b>	22	96	30	35	6	85	30x1,5
<b>C1213/24x22</b>	24	22	30	35	6	11	30x1,5
<b>C1213/24x27</b>	24	27	30	35	6	16	30x1,5
<b>C1213/24x36</b>	24	36	30	35	6	25	30x1,5

<b>kód</b>	<b>d</b>	<b>L</b>	<b>d1</b>	<b>d2</b>	<b>s</b>	<b>t</b>	<b>Z</b>
<b>C1213/24x46</b>	24	46	30	35	6	35	30x1,5
<b>C1213/24x56</b>	24	56	30	35	6	45	30x1,5
<b>C1213/24x66</b>	24	66	30	35	6	55	30x1,5
<b>C1213/24x76</b>	24	76	30	35	6	65	30x1,5
<b>C1213/24x86</b>	24	86	30	35	6	75	30x1,5
<b>C1213/24x96</b>	24	96	30	35	6	85	30x1,5
<b>C1213/30x27</b>	30	27	42	47	6	14	42x1,75
<b>C1213/30x36</b>	30	36	42	47	6	23	42x1,75
<b>C1213/30x46</b>	30	46	42	47	6	33	42x1,75
<b>C1213/30x56</b>	30	56	42	47	6	43	42x1,75
<b>C1213/30x66</b>	30	66	42	47	6	53	42x1,75
<b>C1213/30x76</b>	30	76	42	47	6	63	42x1,75
<b>C1213/30x86</b>	30	86	42	47	6	73	42x1,75
<b>C1213/30x96</b>	30	96	42	47	6	83	42x1,75
<b>C1213/30x116</b>	30	116	42	47	6	103	42x1,75
<b>C1213/32x27</b>	32	27	42	47	6	14	42x1,75
<b>C1213/32x36</b>	32	36	42	47	6	23	42x1,75
<b>C1213/32x46</b>	32	46	42	47	6	33	42x1,75
<b>C1213/32x56</b>	32	56	42	47	6	43	42x1,75
<b>C1213/32x66</b>	32	66	42	47	6	53	42x1,75
<b>C1213/32x76</b>	32	76	42	47	6	63	42x1,75
<b>C1213/32x86</b>	32	86	42	47	6	73	42x1,75
<b>C1213/32x96</b>	32	96	42	47	6	83	42x1,75
<b>C1213/32x116</b>	32	116	42	47	6	103	42x1,75
<b>C1213/40x46</b>	40	46	54	60	10	28	55x2,0
<b>C1213/40x56</b>	40	56	54	60	10	38	55x2,0
<b>C1213/40x66</b>	40	66	54	60	10	48	55x2,0
<b>C1213/40x76</b>	40	76	54	60	10	58	55x2,0
<b>C1213/40x86</b>	40	86	54	60	10	68	55x2,0
<b>C1213/40x96</b>	40	96	54	60	10	78	55x2,0
<b>C1213/40x116</b>	40	116	54	60	10	98	55x2,0
<b>C1213/40x136</b>	40	136	54	60	10	118	55x2,0
<b>C1213/42x46</b>	42	46	54	60	10	28	55x2,0
<b>C1213/42x56</b>	42	56	54	60	10	38	55x2,0
<b>C1213/42x66</b>	42	66	54	60	10	48	55x2,0
<b>C1213/42x76</b>	42	76	54	60	10	58	55x2,0
<b>C1213/42x86</b>	42	86	54	60	10	68	55x2,0
<b>C1213/42x96</b>	42	96	54	60	10	78	55x2,0
<b>C1213/42x116</b>	42	116	54	60	10	98	55x2,0
<b>C1213/42x136</b>	42	136	54	60	10	118	55x2,0