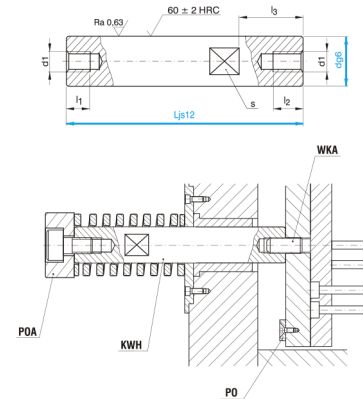


C1510

Vodící čep vyhazovacího paketu



kód	d	L	d1	s	l1	l2	l3
C1510/10x60-M6	10	60	M6	9	9	16	20
C1510/10x70-M6	10	70	M6	9	9	16	20
C1510/10x80-M6	10	80	M6	9	9	16	20
C1510/10x100-M6	10	100	M6	9	9	16	20
C1510/10x120-M6	10	120	M6	9	9	16	20
C1510/10x140-M6	10	140	M6	9	9	16	20
C1510/14x60-M8	14	60	M8	12	11	16	25
C1510/14x70-M8	14	70	M8	12	11	16	25
C1510/14x80-M8	14	80	M8	12	11	16	25
C1510/14x100-M8	14	100	M8	12	11	16	25
C1510/14x120-M8	14	120	M8	12	11	16	25
C1510/14x140-M8	14	140	M8	12	11	16	25
C1510/14x160-M8	14	160	M8	12	11	16	25
C1510/14x180-M8	14	180	M8	12	11	16	25
C1510/18x100-M10	18	100	M10	14	12	20	45
C1510/18x120-M10	18	120	M10	14	12	20	45
C1510/18x140-M10	18	140	M10	14	12	20	45
C1510/18x160-M10	18	160	M10	14	12	20	45
C1510/18x180-M10	18	180	M10	14	12	20	45
C1510/18x200-M10	18	200	M10	14	12	20	45
C1510/18x220-M10	18	220	M10	14	12	20	45
C1510/18x240-M10	18	240	M10	14	12	20	45
C1510/20x100-M12	20	100	M12	16	14	25	45
C1510/20x120-M12	20	120	M12	16	14	25	45

kód	d	L	d1	s	l1	l2	l3
C1510/20x140-M12	20	140	M12	16	14	25	45
C1510/20x160-M12	20	160	M12	16	14	25	45
C1510/20x180-M12	20	180	M12	16	14	25	45
C1510/20x200-M12	20	200	M12	16	14	25	45
C1510/20x220-M12	20	220	M12	16	14	25	45
C1510/20x240-M12	20	240	M12	16	14	25	45
C1510/24x120-M12	24	120	M12	19	14	25	50
C1510/24x140-M12	24	140	M12	19	14	25	50
C1510/24x160-M12	24	160	M12	19	14	25	50
C1510/24x180-M12	24	180	M12	19	14	25	50
C1510/24x200-M12	24	200	M12	19	14	25	50
C1510/24x240-M12	24	240	M12	19	14	25	50
C1510/30x180-M16	30	180	M16	24	16	30	56
C1510/30x220-M16	30	220	M16	24	16	30	56
C1510/30x260-M16	30	260	M16	24	16	30	56
C1510/30x300-M16	30	300	M16	24	16	30	56