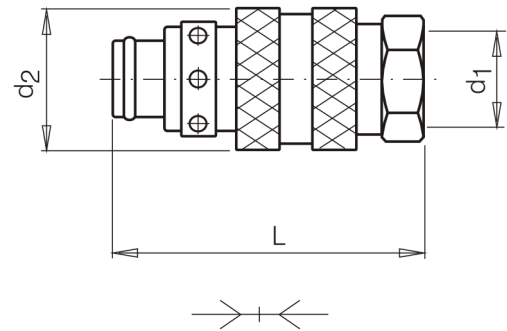
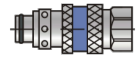


C4302

Rychlospojka s vnitřním závitem



kód	velikost	d1	d2	L	uzavírací ventil
C4302-V/8-G14	8	G 1/4"	20	57	ano
C4302-V/8-G38	8	G 3/8"	20	57	ano
C4302-V/8-T14	8	NPT 1/4"	20	60	ano
C4302-V/8-T38	8	NPT 3/8"	20	60	ano
C4302-V/12-G12	12	G 1/2"	28	80	ano
C4302-V/12-T12	12	NPT 1/2"	28	80	ano
C4302/8-G14	8	G 1/4"	20	43	ne
C4302/8-G38	8	G 3/8"	20	52	ne
C4302/8-T14	8	NPT 1/4"	20	43	ne
C4302/8-T38	8	NPT 3/8"	20	52	ne
C4302/12-G12	12	G 1/2"	28	60	ne
C4302/12-G34	12	G 3/4"	28	70	ne
C4302/12-T12	12	NPT 1/2"	28	62	ne
C4302/12-T34	12	NPT 3/4"	28	70	ne