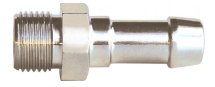
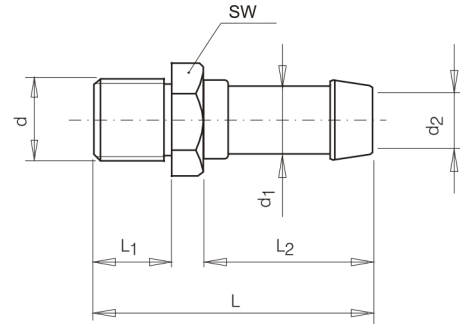


C4237

Klasický trn pro hadici, s vnějším závitem



Materiál: Poniklovaná mosaz



Kód	d	d1	d2	L1	L2	L	SW
C4237/4-G18	G 1/8"	4	3	8	28	43	14
C4237/6-G14	G 1/4"	6	4	11	28	45	17
C4237/6-G18	G 1/8"	6	4	8	28	43	14
C4237/8-G14	G 1/4"	8	5,5	11	28	45	17
C4237/8-G18	G 1/8"	8	5,5	8	28	43	14
C4237/8-G38	G 3/8"	8	5,5	11	28	45	19
C4237/9-G14	G 1/4"	9	6	11	28	45	17
C4237/10-G14	G 1/4"	10	7	11	28	45	17
C4237/10-G18	G 1/8"	10	7	8	28	43	14
C4237/10-G38	G 3/8"	10	7	11	28	45	19
C4237/13-G12	G 1/2"	13	9	14	33	54	22
C4237/13-G14	G 1/4"	13	9	11	33	51	17
C4237/13-G38	G 3/8"	13	9	11	33	52	19
C4237/16-G12	G 1/2"	16	11	14	33	54	22
C4237/16-G34	G 3/4"	16	11	16	33	58	30
C4237/16-G38	G 3/8"	16	11	11	33	52	19
C4237/19-G34	G 3/4"	19	13	16	33	58	30