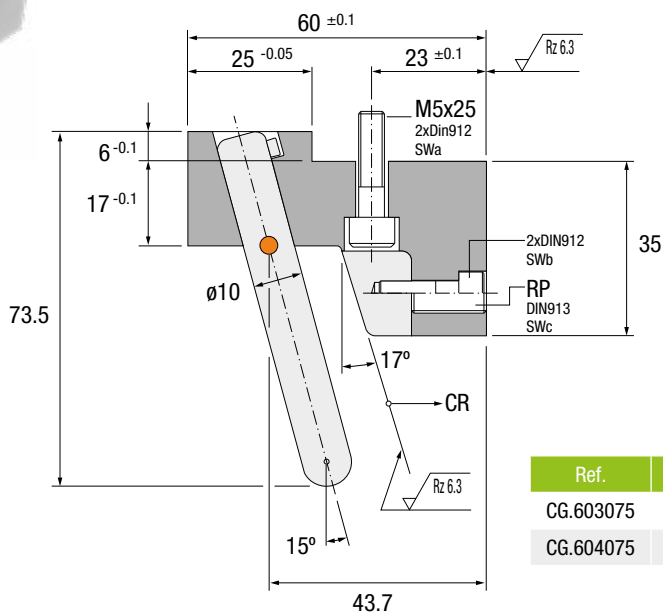


# HEEL UNIT - SET

ES Cuña Guía - SET DE Keilführungs - SET  
IT Contrasto Guida - SET PT Guia Cunha - SET FR Guide de Chariot - SET

# CG

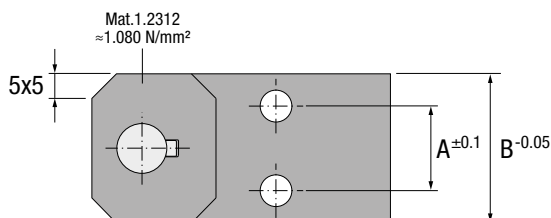


● Cad Insertion Point

Patented



Ref.	A	B	CR (N)	RP	SWa	SWb	SWc	Includes
CG.603075	17	30	180.000	081015	5	3	4	GL.010075
CG.604075	22	40	320.000	101015	5	4	5	GL.010075



**IMPORTANT !**

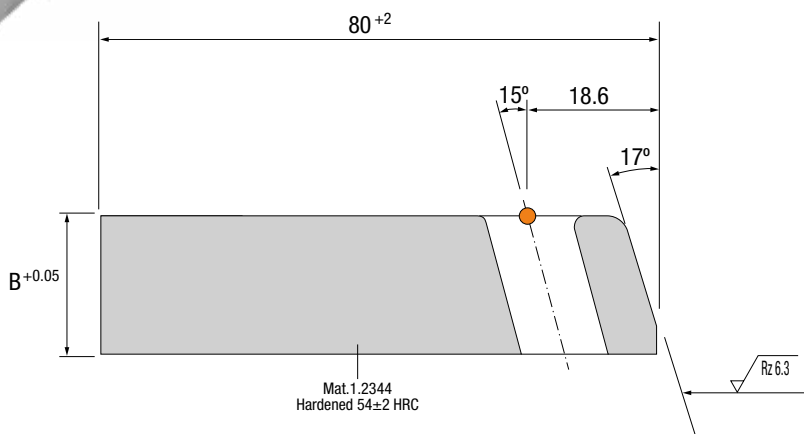
Standard stroke of 11mm.  
Recorrido estándar de 11mm.  
Standard Hub 11mm.  
Corsa carrello 11mm.  
Curso standard 11mm.  
Course standard de mm.

# CA

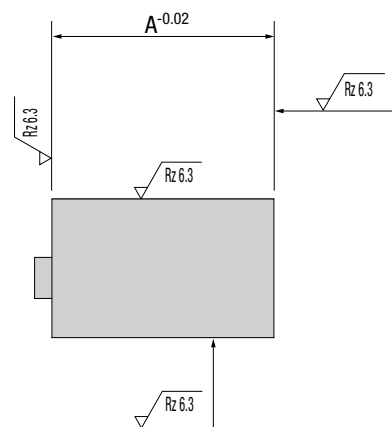


# ADJUSTED SLIDE

ES Corredera Ajustada DE Vorabgestimmter Schieber  
IT Carrello Aggiustato PT Corrediça Ajustada FR Coulisseau de Chariot



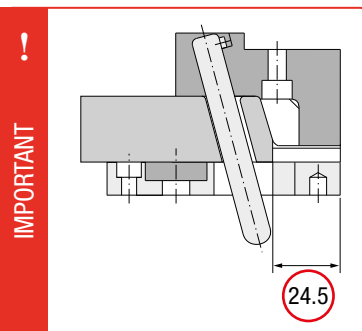
● Cad Insertion Point



Patented



Ref.	A	B
CA.322080	32	20
CA.322480	32	24
CA.422080	42	20
CA.422480	42	24



**IMPORTANT !**

