

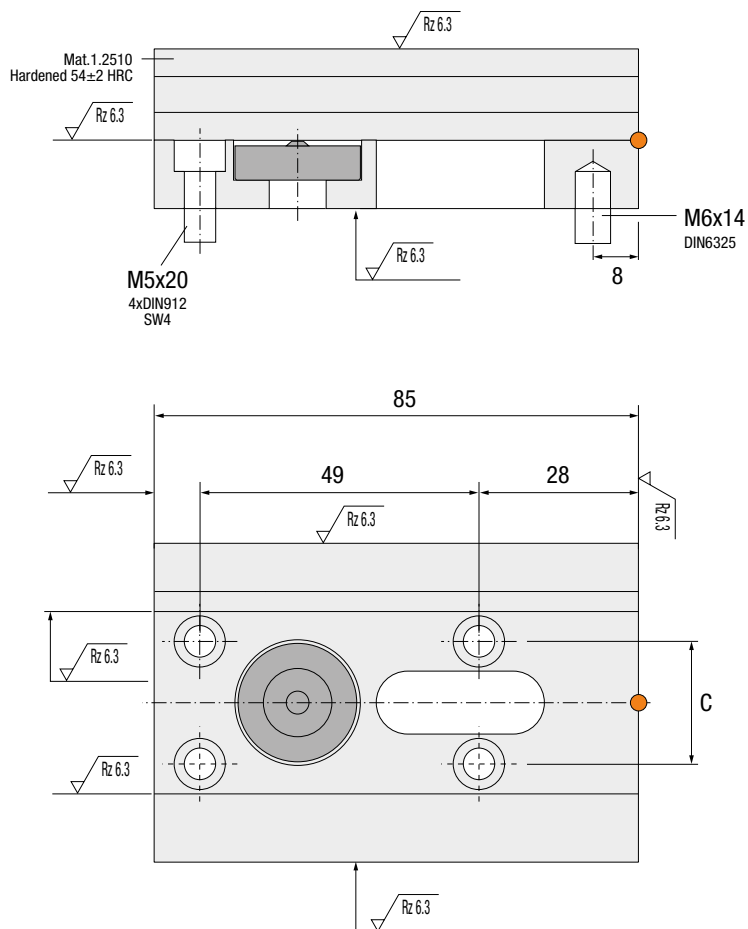
SLIDE BASE

ES Base Corredera DE Basisführung
IT Base Carrello PT Base da Corrediça FR Embase Coulisseau

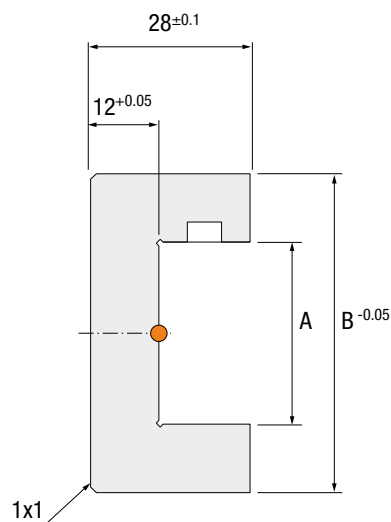


BC

● Cad Insertion Point



Ref.	A	B	C
BC.322885	32	56	21.5
BC.422885	42	66	26.5



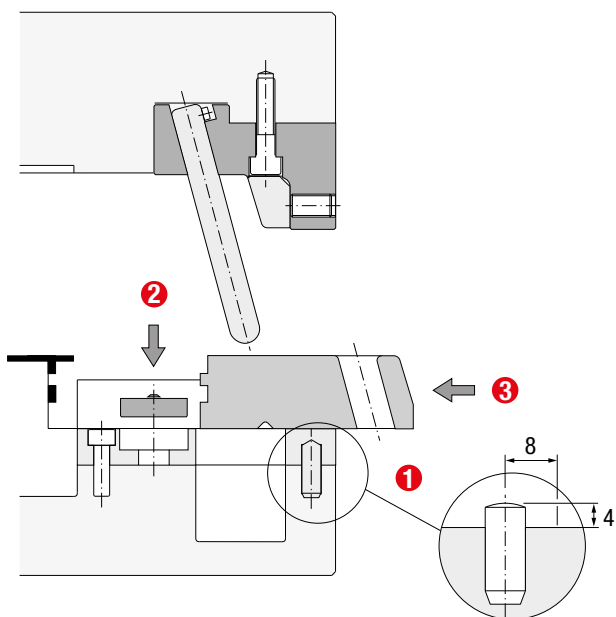
Patented



Installation Guidelines

Consejos de Instalación · Richtlinien zur Installation · Consigli di Installazione · Instruções de Instalação · Mode d'Installation

Mold Open



Mold Closed

