

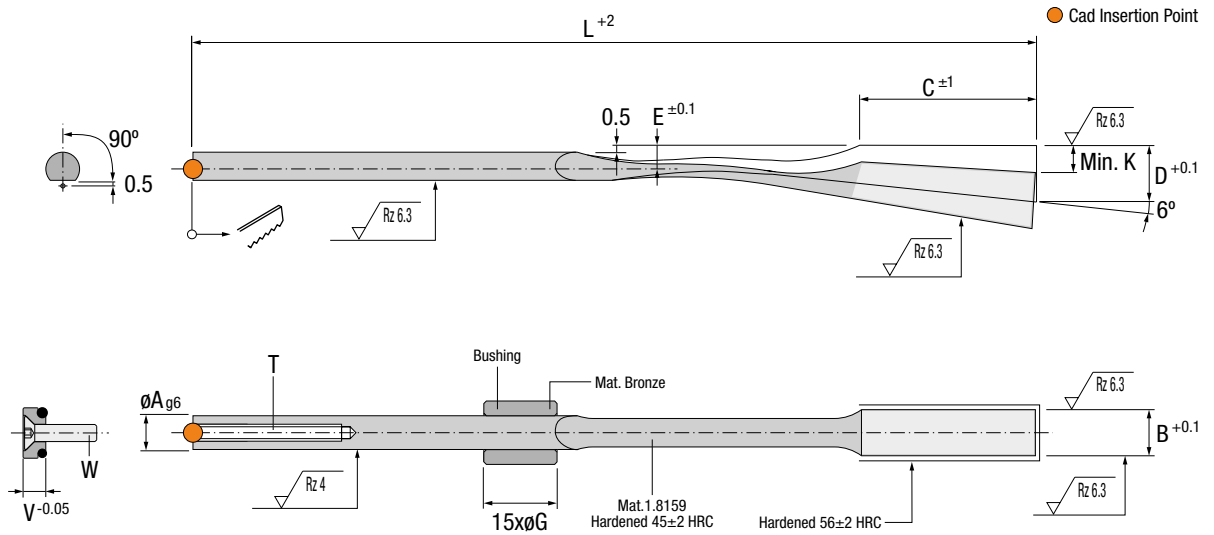
SPRUNG CORE

ES Pinza Plana DE Flexibler Federauswerfer
IT Pinza Piana PT Pinça Plana FR Éjecteur de Forme

PW

Patented

Max. 150°C



Ref.	A	B	C	D	E	G	K	L	M	N	R	T	U	V	W	Bushing
PW.060622	6	6.2	22	9	3.5	-	3.5	125	16	18	1.25	M4x36	12	5	M4x16 (DIN7991)	-
PW.060630	6	6.2	30	10	3.5	12	4.5	175	20	26	1.25	M4x36	12	5	M4x16 (DIN7991)	●
PW.060822	6	8.2	22	9	3.5	-	3.5	125	16	18	1.25	M4x36	12	5	M4x16 (DIN7991)	-
PW.060830	6	8.2	30	10	3.5	12	4.5	175	20	26	1.25	M4x36	12	5	M4x16 (DIN7991)	●
PW.080825	8	8.2	25	11.5	4.5	-	4.5	140	18	21	2	M5x36	14	6	M5x16 (DIN7984)	-
PW.081025	8	10.2	25	11.5	4.5	-	4.5	140	18	21	2	M5x36	14	6	M5x16 (DIN7984)	-
PW.081030	8	10.2	30	11.2	4.5	12	4.5	175	20	26	2	M5x36	14	6	M5x16 (DIN7984)	●
PW.081225	8	12.2	25	11.5	4.5	-	4.5	140	18	21	2	M5x36	14	6	M5x16 (DIN7984)	-
PW.081230	8	12.2	30	11.2	4.5	12	4.5	175	20	26	2	M5x36	14	6	M5x16 (DIN7984)	●
PW.101430	10	14.2	30	13.6	5.5	16	5.5	175	20	26	2.5	M6x36	18	8	M6x16 (DIN7984)	●
PW.101630	10	16.2	30	13.6	5.5	16	5.5	175	20	26	2.5	M6x36	18	8	M6x16 (DIN7984)	●
PW.101830	10	18.2	30	13.6	5.5	16	5.5	175	20	26	2.5	M6x36	18	8	M6x16 (DIN7984)	●

Installation Guidelines

Consejos de Instalación · Richtlinien zur Installation · Consigli di Installazione · Instruções de Instalação · Mode d'Installation

