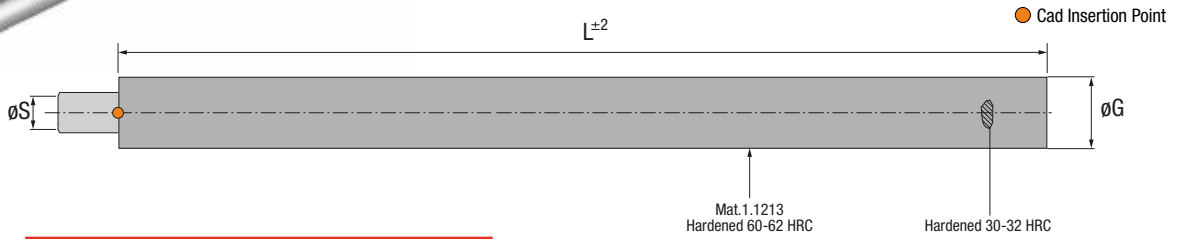


# EX-EY-EZ ROD EXTENSION

ES Alargo EX-EY-EZ DE EX-EY-EZ Verlängerungsstange  
IT Estensione EX-EY-EZ PT Extensor para EX-EY-EZ FR Extension pour EX-EY-EZ

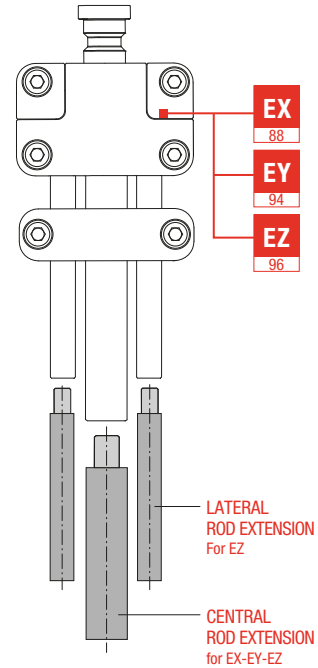
# EW



CENTRAL ROD EXTENSION				
Ref.	G	L	S	Compatible with
EW.140033	14	330	M8	EX.14 / EY.14 / EZ.14
EW.200033	20	330	M12	EX.20 / EY.20 / EZ.20
EW.320049	32	495	M16	EX.32 / EY.32 / EZ.32
EW.500049	50	495	M24	EX.50 / EY.50 / EZ.50

LATERAL ROD EXTENSION				
Ref.	G	L	S	Compatible with
EW.140833	8	330	M5	EZ.14
EW.201233	12	330	M8	EZ.20
EW.322049	20	495	M12	EZ.32
EW.502549	25	495	M16	EZ.50

**IMPORTANT !**  
Order 2 lateral rod extension for each EZ.  
Pedir 2 extensiones laterales para cada EZ.  
Bestellen Sie 2 seitliche Stangenverlängerung für jeden EZ.  
Ordinare 2 estensioni laterali per ogni EZ.  
Pedir 2 extensores laterais para cada EZ.  
Demander 2 extensions latérales pour chacune EZ.

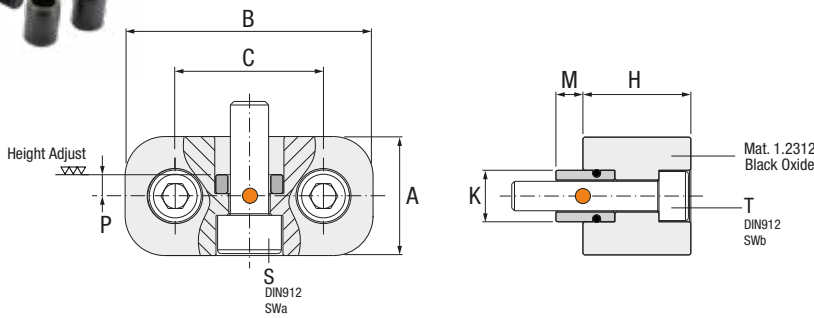


Max. 150°C

# EX-EY-EZ EXTERNAL FIXING

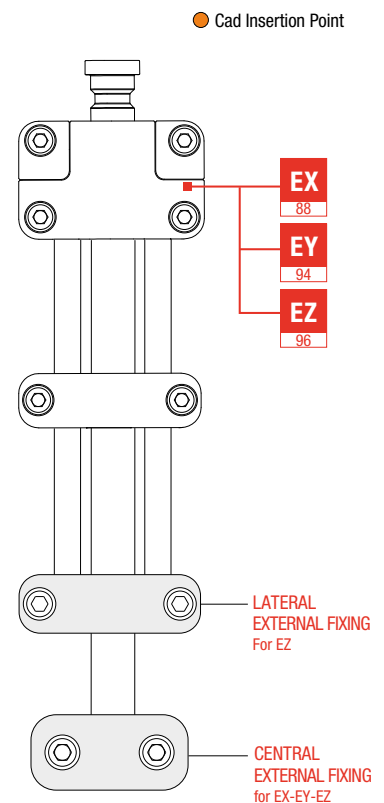
ES Fijación Externa EX-EY-EZ DE EX-EY-EZ Externe Befestigung  
IT EX-EY-EZ Fissaggio Esterno PT Fixação Externa EX-EY-EZ FR Fixation Externe pour EX-EY-EZ

# EB



CENTRAL EXTERNAL FIXING												
Ref.	A	B	C	K	H	M	P	S	SWa	SWb	T	Compatible with
EB.140020	24	50	30	10.5	22	5.5	4.5	M8x25	5	6	M6x30	EX.14 / EY.14 / EZ.14
EB.200025	34	60	38	13.5	30	7.5	7	M12x35	6	10	M8x40	EX.20 / EY.20 / EZ.20
EB.320042	50	86	52	18.5	46	11.5	11	M16x45	10	14	M12x65	EX.32 / EY.32 / EZ.32
EB.500060	66	100	64	25	64	15.5	15	M24x60	14	19	M16x90	EX.50 / EY.50 / EZ.50

LATERAL EXTERNAL FIXING												
Ref.	A	B	C	K	H	M	P	S	SWa	SWb	T	Compatible with
EB.140824	20	62	48	10.5	22	5.5	6	M5x20	5	4	M6x30	EZ.14
EB.201234	25	84	66	13.5	30	7.5	6.5	M8x25	6	6	M8x40	EZ.20
EB.322050	42	126	102	18.5	46	11.5	15	M12x50	10	10	M12x65	EZ.32
EB.502566	60	174	140	25	64	15.5	19	M16x60	14	14	M16x90	EZ.50



Max. 150°C