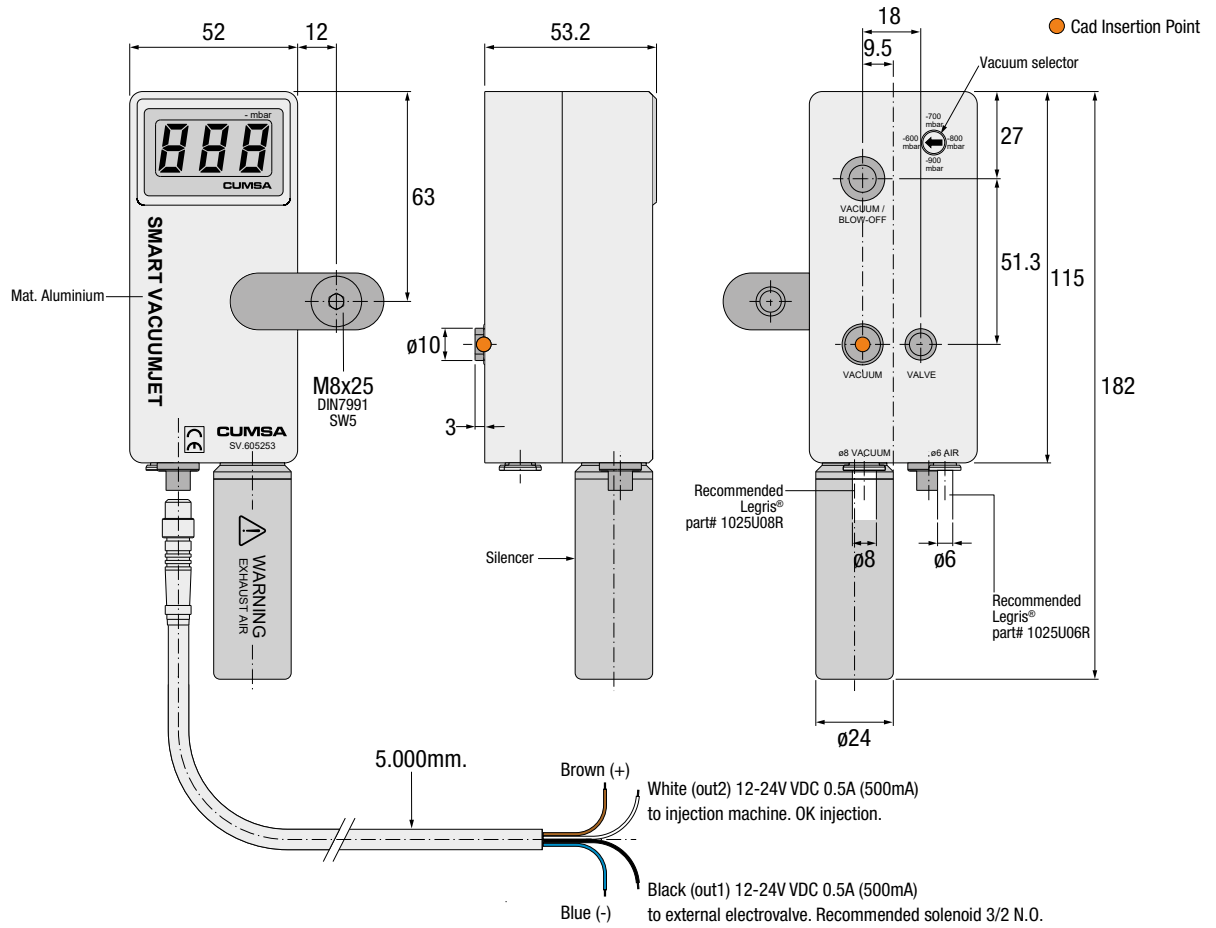


# SV

Patented

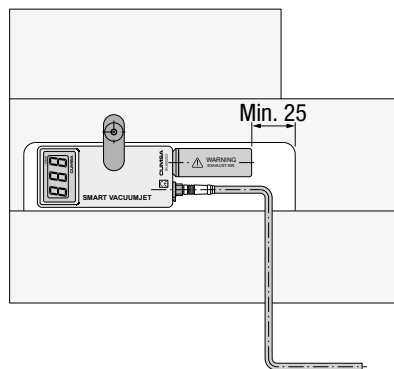
Max. 80°C



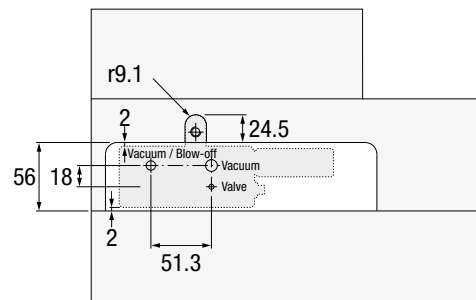
Ref.	Supply Pressure	Max. Vacuum	Max. Flow	Consumption
SV.605253	5-6 BAR	-900 mbar	75 L./ Min.	60 L./ Min.

## Installation Guidelines

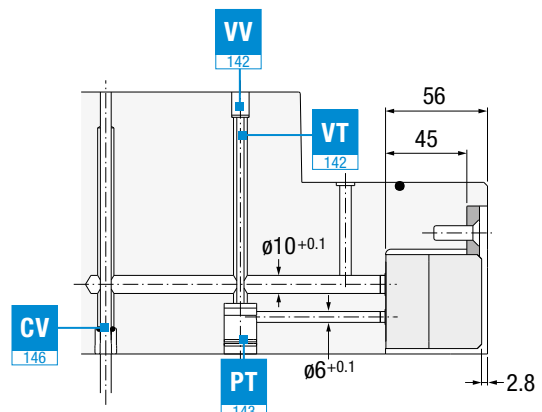
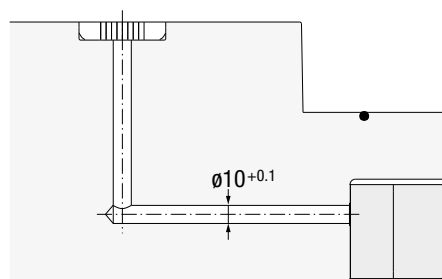
Consejos de Instalación · Richtlinien zur Installation · Consigli di Installazione · Instruções de Instalação · Mode d'Installation



Vacuum / Blow-off Section



Vacuum Section

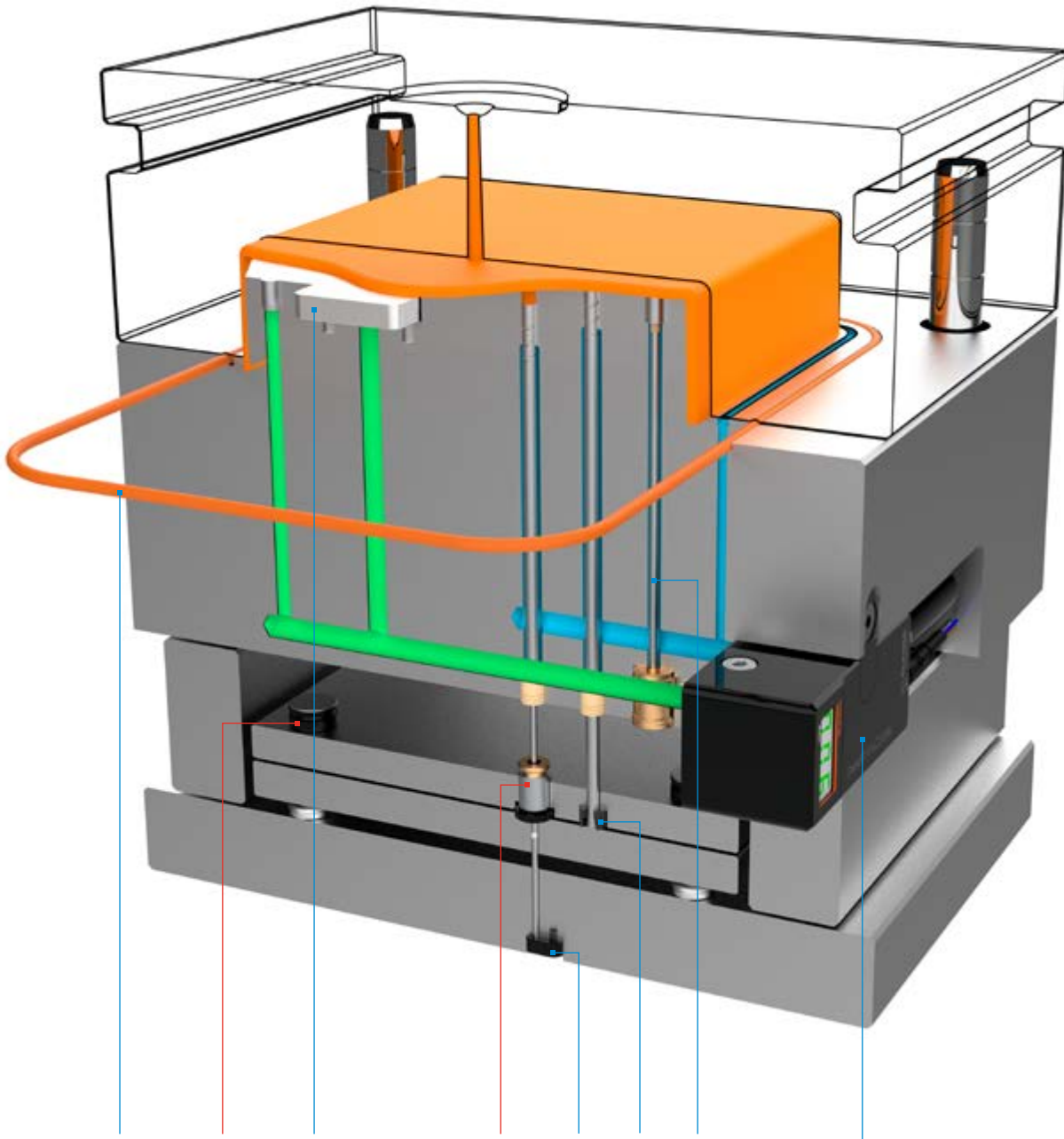


# INSTALLATION GUIDELINES

ES Consejos de Instalación DE Richtlinien zur Installation  
IT Consigli di Installazione PT Instruções de Instalação FR Mode d'Installation



# SV



Patented

Max. 80°C

Vacuum

Blow-off

# VACUUMJET SYSTEM

## by CUMSA

## WHAT DOES VACUUM STAND FOR?

To vacuum is to remove the air out of a space, therefore, leaving this space completely empty, creating a negative pressure.

### WHY IS IT INTERESTING TO CREATE A VACUUM INSIDE MOLDS?

During the injection process there is an invisible pressure within the cavity, making it difficult to fill, this pressure is the air! The air is cornered, compressed and heated by plastic, and is pushed outside the mold through its clearances, complicating therefore the cavity filling, and creating problems in the process, in the plastic part and slowing down the cycle time.

¡We need to extract the air from the cavity or at least minimize its influence in the process!

### HOW CAN WE EXTRACT THE AIR?

CUMSA has developed a series of products to enable the vacuuming of mold cavities. Discover these products in this catalogue!

From just 20-30% of vacuum created, improvements in the process can be observed; therefore, it is important to balance the level of vacuum with the time needed, to find the best option to suit your particular needs.

### WHAT BENEFITS COULD MY MOLD ACHIEVE WITH THE VACUUM?

In the injected plastic part:

- Superior visual appearance (less sink marks).
- Dimensional stability (less weld lines).
- Uniform color.
- High mechanical resistance due to perfect plastic distribution.

In the process:

- Reduced cycle time.
- Lower injection temperature & pressure.
- Increase in production.

### WHAT IS NEEDED TO CREATE THE VACUUM?

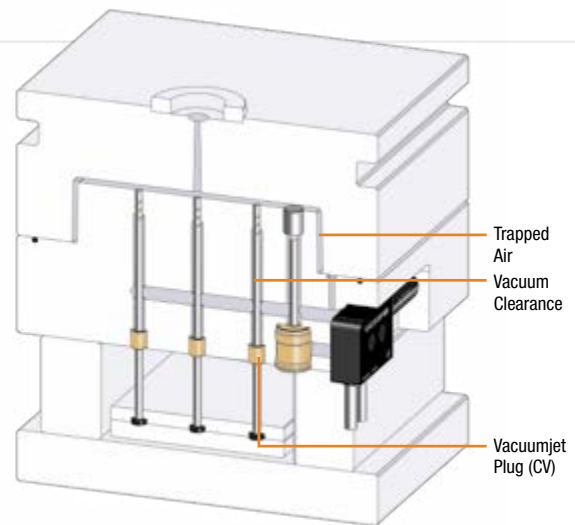
- Complete sealing of the mold to achieve optimal vacuum results.
- 1 or 2 electrovalves, depending on the model selected.
- No need of any additional vacuum pump/mechanism.

# VACUUMJET OPERATIONAL PROCEDURE

## MOLD CLOSED

With the mold closed, air is trapped inside the cavity. If injection starts, the air will be cornered, heated and compressed by the plastic, producing poor quality plastic parts.

We have to create vacuum!

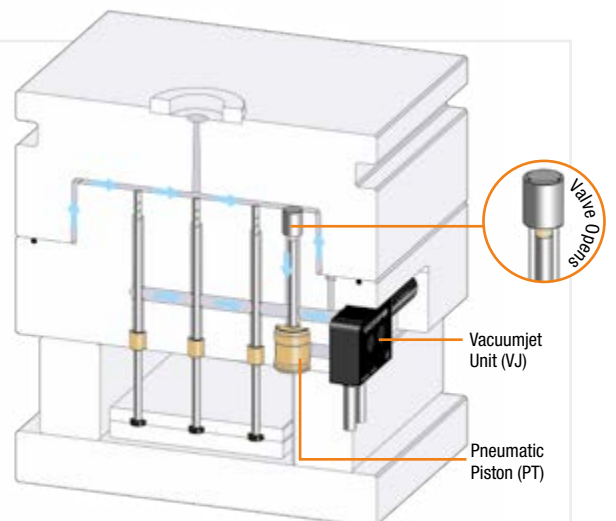


## CREATING THE VACUUM IN THE CAVITY

To optimize the injection process we have to take out the air from the cavity.

There are several methods to accomplish this, but in all of them it is the injected plastic that pushes out the air. With VACUUMJET, when it is activated prior to the injection, a valve is opened and the air is vacuumed, therefore, leaving the cavity in optimal conditions for injection.

→ Air Flow

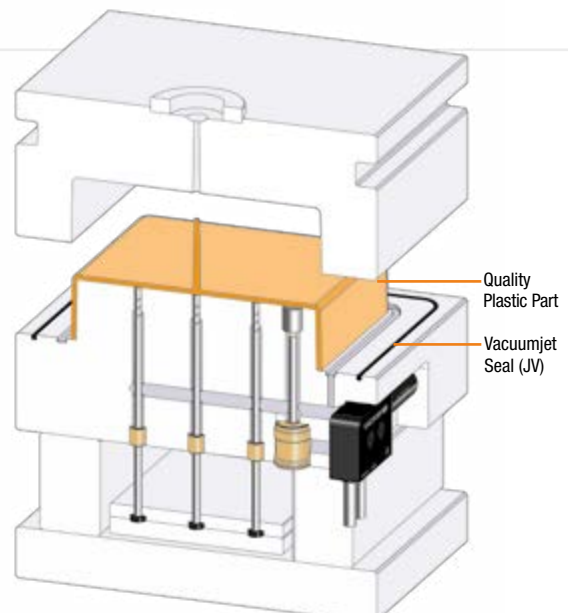


## INJECTION STARTS

The VACUUMJET continues sucking the air during all the injection process, to guarantee the maximum ease of the plastics fluidity, therefore reducing the pressure needed.

## EJECTION PROCESS

When the injection is finished, the VACUUMJET stops, and as with all molds, the plastic is cooled and the part is ejected...but with the VACUUMJET system, we obtain greater quality plastic part, with at least the same injection time, if not faster, and without altering the optimal injection parameters.





# VACUUMJET SYSTEM

## by CUMSA

DO I NEED TO CONTROL THE VACUUM LEVEL?	<b>YES</b>			
DO I HAVE SPACE FOR A VACUUM VALVE?	<b>YES</b>		<b>NO</b>	
DO I NEED REVERSE BLOWING?	<b>YES</b>	<b>NO</b>	<b>YES</b>	<b>NO</b>
HOW MANY ELECTROVALVES DO I NEED?	<div style="text-align: center; margin-bottom: 10px;"><b>2</b></div>  <div style="text-align: center; margin-top: 10px;"><b>SV</b></div>	<div style="text-align: center; margin-bottom: 10px;"><b>2</b></div>  <div style="text-align: center; margin-top: 10px;"><b>VM + VJ</b></div>	<div style="text-align: center; margin-bottom: 10px;"><b>2</b></div>  <div style="text-align: center; margin-top: 10px;"><b>VM + VB</b></div>	<div style="text-align: center; margin-bottom: 10px;"><b>1</b></div>  <div style="text-align: center; margin-top: 10px;"><b>VM + VG</b></div>

The Vacuumjet + (VG model) can be added to any combination to increase vacuuming power and speed up the vacuum process. For each VG model, a separate compressed air circuit is needed to assure that we always have at least 6 BARS of air pressure.

# WICH PRODUCT IS THE BEST FOR MY MOLD?

<b>NO</b>				<b>DO I NEED TO CONTROL THE VACUUM LEVEL?</b>
<b>YES</b>		<b>NO</b>		<b>DO I HAVE SPACE FOR A VACUUM VALVE?</b>
<b>YES</b>	<b>NO</b>	<b>YES</b>	<b>NO</b>	<b>DO I NEED REVERSE BLOWING?</b>
<b>3</b>	<b>2</b>	<b>2</b>	<b>1</b>	<b>HOW MANY ELECTROVALVES DO I NEED?</b>
 <b>VJ + VB</b>	 <b>VJ</b>	 <b>VB</b>	 <b>VG</b>	

The use of Spiral Ejector or Spiral Sleeve (VP & VS) is mandatory when not using a valve. However, it is also recommended when using a valve to maintain the vacuum achieved throughout the rest of the process.