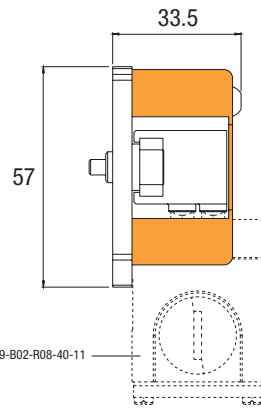
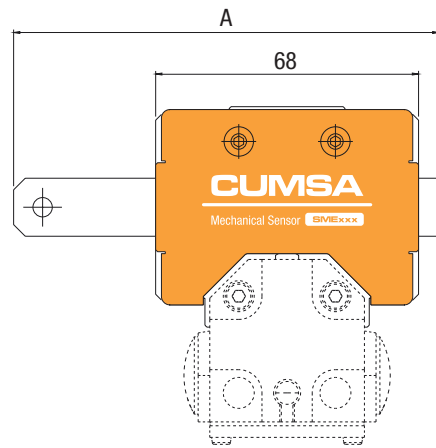


| REFERENCE   | A   |
|-------------|-----|
| SME110      | 110 |
| SME170      | 170 |
| SME245      | 245 |
| SME 110-250 | 250 |
| SME110-300  | 300 |
| SME110-350  | 350 |
| SME110-400  | 400 |
| SME110-450  | 450 |



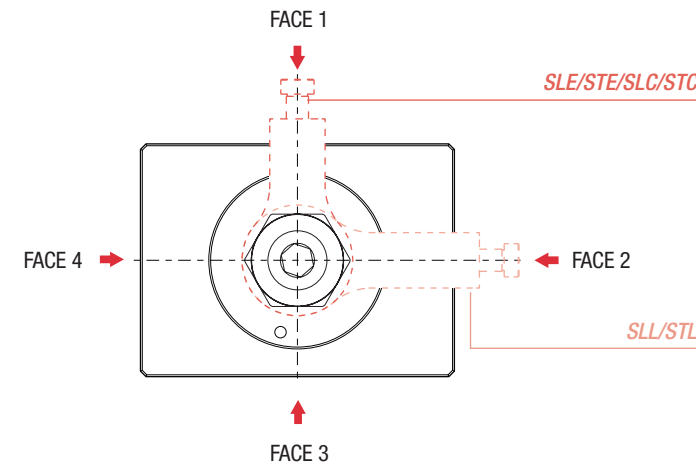
Recommended  
Balluff® part# BNS 819-B02-R08-40-11  
NOT INCLUDED

**IMPORTANT**

Left / Right Assembling options  
Opción de instalación derecha / izquierda  
Montagemöglichkeiten links/rechts  
Opzioni di montaggio sinistra / destra  
Opção de montagem Esquerdo / Direito  
Option de montage Gauche / Droite



| REFERENCE<br>For Cylinders A-B | Ø PISTON | FOR FACE | REFERENCE<br>For Cylinders E |
|--------------------------------|----------|----------|------------------------------|
| SLC016                         | 16       | 1 & 3    |                              |
| SLC025                         | 25       | 1 & 3    | SLE025 STE025                |
| SLC032                         | 32       | 1 & 3    | SLE032 STE032                |
| SLC040                         | 40       | 1 & 3    | SLE040 STE040                |
| SLC050                         | 50       | 1 & 3    | SLE050 STE050                |
| SLC063                         | 63       | 1 & 3    | SLE063 STE050                |
| SLC080                         | 80       | 1 & 3    |                              |
| SLL025                         | 25       | 2 & 4    |                              |
| SLL032                         | 32       | 2 & 4    |                              |
| SLL040                         | 40       | 2 & 4    |                              |
| SLL050                         | 50       | 2 & 4    |                              |
| SLL063                         | 63       | 2 & 4    |                              |
| SLL080                         | 80       | 2 & 4    |                              |



SENSOR REFERENCE BY STROKE / REFERENCIA DE SENSOR POR RECORRIDO / SENSORPREFERENZ VOM HUB / REFERENZA SENSORE PER CORSA / REFERÊNCIA DO SENSOR POR CURSO / RÉFÉRENCE DU DÉTECTEUR PAR COURSE

| FOR MODEL | STROKE  | Ø 16   | Ø 25       | Ø 32       | Ø 40       | Ø 50       | Ø 63       | Ø 80   | Ø 100  |
|-----------|---------|--------|------------|------------|------------|------------|------------|--------|--------|
| A · B     | 10      | SME110 | SME110     | SME110     |            |            |            |        |        |
| A · B     | 20      | SME110 | SME110     | SME110     | SME110     | SME110     | SME110     |        |        |
| A · B     | 30      | SME110 | SME110     | SME110     | SME110     | SME110     | SME110     |        |        |
| A · B     | 40      | SME110 | SME110     | SME170     | SME170     | SME170     | SME170     |        |        |
| A · B     | 50      | SME170 | SME170     | SME170     | SME170     | SME170     | SME170     |        |        |
| A · B     | 60      | SME170 | SME170     | SME170     | SME170     | SME170     | SME170     |        |        |
| A · B     | 70      | SME170 | SME170     | SME170     | SME170     | SME170     | SME170     |        |        |
| A · B     | 80      | SME170 | SME170     | SME170     | SME170     | SME170     | SME170     | SME170 | SME170 |
| A · B     | 90      | SME170 | SME170     | SME170     | SME170     | SME170     | SME170     | SME170 | SME170 |
| A · B     | 100     | SME170 | SME170     | SME245     | SME245     | SME245     | SME245     | SME245 | SME245 |
| A · B     | 110     |        | SME245     | SME245     | SME245     | SME245     | SME245     | SME245 | SME245 |
| A · B     | 120     |        | SME245     | SME245     | SME245     | SME245     | SME245     | SME245 | SME245 |
| A · B     | 130     |        |            | SME245     | SME245     | SME245     | SME245     | SME245 | SME245 |
| A · B     | 140     |        |            | SME245     | SME245     | SME245     | SME245     | SME245 | SME245 |
| A · B     | 150     |        |            | SME245     | SME245     | SME245     | SME245     | SME245 | SME245 |
| A · B     | 160     |        |            |            | SME245     | SME245     | SME245     | SME245 | SME245 |
| A · B     | 170     |        |            |            |            | SME245     | SME245     | SME245 | SME245 |
| A · B     | 180     |        |            |            |            | SME245     | SME245     | SME245 | SME245 |
| E         | 100-200 |        | SME110-250 | SME110-250 | SME110-250 | SME110-250 | SME110-250 |        |        |
| E         | 201-250 |        | SME110-300 | SME110-300 | SME110-300 | SME110-300 | SME110-300 |        |        |
| E         | 251-300 |        | SME110-350 | SME110-350 | SME110-350 | SME110-350 | SME110-350 |        |        |
| E         | 301-350 |        | SME110-400 | SME110-400 | SME110-400 | SME110-400 | SME110-400 |        |        |
| E         | 351-400 |        | SME110-450 | SME110-450 | SME110-450 | SME110-450 | SME110-450 |        |        |

FACE SENSOR POSITIONS BY FIXING STYLE / FACE DE POSICIÓN DEL SENSOR POR ESTILO DE FIJACIÓN / FLÄCHE SENSORPOSITION DER BEFESTIGUNGSART / FACE DI POSIZIONE DEL SENSORE PER TIPO DI FISSAGGIO / FACE DE POSIÇÃO DO SENSOR, CONFORME MODO DE FIXAÇÃO / FACE DE POSITION DU DÉTECTEUR, CONFORME AU MODE DE FIXATION

For cylinders A-B-E

| FIXING STYLE | CW |   |   |   | FW |   |   |   | DW |   |   |   | EW |   |   |   | AW |   |   |   | AX |   |   |   | DX |   |   |   | AY |   |   |   | EY |   |   |   | CZ |   |   |   | FZ |   |   |   | CV |  |  |  |
|--------------|----|---|---|---|----|---|---|---|----|---|---|---|----|---|---|---|----|---|---|---|----|---|---|---|----|---|---|---|----|---|---|---|----|---|---|---|----|---|---|---|----|---|---|---|----|--|--|--|
|              | 1  | 2 | 3 | 4 | 1  | 2 | 3 | 4 | 1  | 2 | 3 | 4 | 1  | 2 | 3 | 4 | 1  | 2 | 3 | 4 | 1  | 2 | 3 | 4 | 1  | 2 | 3 | 4 | 1  | 2 | 3 | 4 | 1  | 2 | 3 | 4 | 1  | 2 | 3 | 4 | 1  | 2 | 3 | 4 |    |  |  |  |
| Face 16      | ●  |   |   |   | ●  |   |   |   | ●  |   |   |   | ●  |   |   |   | ●  |   |   |   | ●  |   |   |   | ●  |   |   |   | ●  |   |   |   | ●  |   |   |   | ●  |   |   |   |    |   |   |   |    |  |  |  |
| Face 25      | ●  |   |   |   | ●  |   |   |   | ●  |   |   |   | ●  |   |   |   | ●  |   |   |   | ●  |   |   |   | ●  |   |   |   | ●  |   |   |   | ●  |   |   |   | ●  |   |   |   |    |   |   |   |    |  |  |  |
| Face 32      | ●  | ● |   |   | ●  | ● |   |   | ●  | ● |   |   | ●  | ● |   |   | ●  | ● |   |   | ●  | ● |   |   | ●  | ● |   |   | ●  | ● |   |   | ●  | ● |   |   | ●  | ● |   |   |    |   |   |   |    |  |  |  |
| Face 40      | ●  | ● | ● |   | ●  | ● | ● |   | ●  | ● | ● |   | ●  | ● | ● |   | ●  | ● | ● |   | ●  | ● | ● |   | ●  | ● | ● |   | ●  | ● | ● |   | ●  | ● | ● |   | ●  | ● | ● |   |    |   |   |   |    |  |  |  |
| Face 50      | ●  | ● | ● | ● | ●  | ● | ● |   | ●  | ● | ● | ● | ●  | ● | ● |   | ●  | ● | ● | ● | ●  | ● | ● |   | ●  | ● | ● | ● | ●  | ● | ● |   | ●  | ● | ● | ● | ●  | ● | ● |   |    |   |   |   |    |  |  |  |
| Face 63      | ●  | ● | ● | ● | ●  | ● | ● | ● | ●  | ● | ● | ● | ●  | ● | ● | ● | ●  | ● | ● | ● | ●  | ● | ● | ● | ●  | ● | ● | ● | ●  | ● | ● | ● | ●  | ● | ● | ● | ●  | ● | ● | ● | ●  |   |   |   |    |  |  |  |
| Face 80      | ●  | ● | ● | ● | ●  | ● | ● | ● | ●  | ● | ● | ● | ●  | ● | ● | ● | ●  | ● | ● | ● | ●  | ● | ● | ● | ●  | ● | ● | ● | ●  | ● | ● | ● | ●  | ● | ● | ● | ●  | ● | ● | ● | ●  |   |   |   |    |  |  |  |
| Face 100     | ●  | ● | ● | ● | ●  | ● | ● | ● | ●  | ● | ● | ● | ●  | ● | ● | ● | ●  | ● | ● | ● | ●  | ● | ● | ● | ●  | ● | ● | ● | ●  | ● | ● | ● | ●  | ● | ● | ● | ●  | ● | ● | ● | ●  |   |   |   |    |  |  |  |