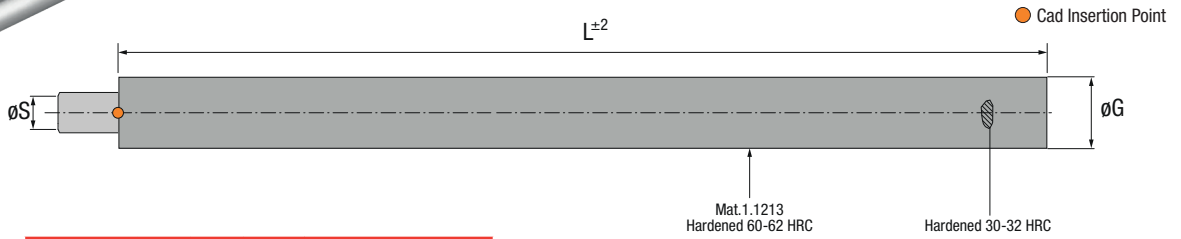


EX-EY-EZ ROD EXTENSION

ES Alargo EX-EY-EZ DE EX-EY-EZ Verlängerungsstange
IT Estensione EX-EY-EZ PT Extensor para EX-EY-EZ FR Extension pour EX-EY-EZ

EW

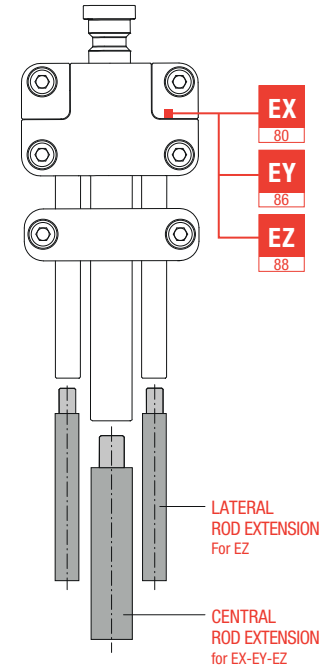
EJECTION



CENTRAL ROD EXTENSION				
Ref.	G	L	S	Compatible with
EW.140033	14	330	M8	EX.14 / EY.14 / EZ.14
EW.200033	20	330	M12	EX.20 / EY.20 / EZ.20
EW.320049	32	495	M16	EX.32 / EY.32 / EZ.32
EW.500049	50	495	M24	EX.50 / EY.50 / EZ.50

LATERAL ROD EXTENSION				
Ref.	G	L	S	Compatible with
EW.140833	8	330	M5	EZ.14
EW.201233	12	330	M8	EZ.20
EW.322049	20	495	M12	EZ.32
EW.502549	25	495	M16	EZ.50

IMPORTANT !
Order 2 lateral rod extension for each EZ.
Pedir 2 extensiones laterales para cada EZ.
Bestellen Sie 2 seitliche Stangenverlängerung für jeden EZ.
Ordinare 2 estensioni laterali per ogni EZ.
Pedir 2 extensores laterais para cada EZ.
Demander 2 extensions latérales pour chacune EZ.

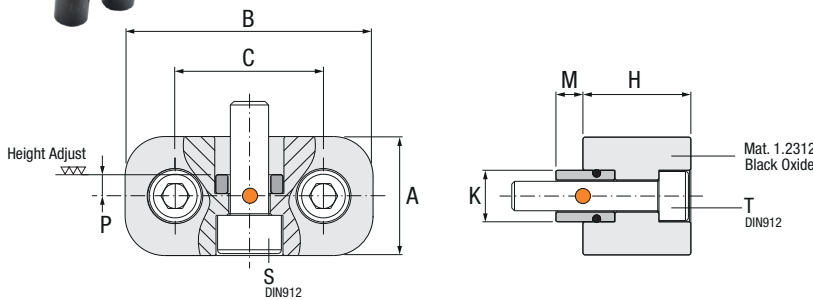


EX-EY-EZ EXTERNAL FIXING

ES Fijación Externa EX-EY-EZ DE EX-EY-EZ Externe Befestigung
IT EX-EY-EZ Fissaggio Esterno PT Fixação Externa EX-EY-EZ FR Fixation Externe pour EX-EY-EZ

EB

EJECTION



CENTRAL EXTERNAL FIXING										
Ref.	A	B	C	K	H	M	P	S	T	Compatible with
EB.140020	24	50	30	10.5	22	5.5	4.5	M8x25	M6x30	EX.14 / EY.14 / EZ.14
EB.200025	34	60	38	13.5	30	7.5	7	M12x35	M8x40	EX.20 / EY.20 / EZ.20
EB.320042	50	86	52	18.5	46	11.5	11	M16x45	M12x65	EX.32 / EY.32 / EZ.32
EB.500060	66	100	64	25	64	15.5	15	M24x60	M16x90	EX.50 / EY.50 / EZ.50

LATERAL EXTERNAL FIXING										
Ref.	A	B	C	K	H	M	P	S	T	Compatible with
EB.140824	20	62	48	10.5	22	5.5	6	M5x20	M6x30	EZ.14
EB.201234	25	84	66	13.5	30	7.5	6.5	M8x25	M8x40	EZ.20
EB.322050	42	126	102	18.5	46	11.5	15	M12x50	M12x65	EZ.32
EB.502566	60	174	140	25	64	15.5	19	M16x60	M16x90	EZ.50

